

OMRAN TAHVIEH  
OMRAN TAHVIEH  
AN TAH  
N TA  
TA  
TAH  
TAHV

# Industrial Cooler





**Technical Descriptions**

**OMRAN TAHVIEH Industrial cooler**

**Technical Descriptions:**

- Industrial forward curve centrifugal fan with several fan speed and motor size based on external static pressure.
- Statically and dynamically balanced fans.
- Fan housing and impeller manufactured by hot dip galvanized steel sheet.
- Non corrosive F.R.P basin.
- Aluminum extruded profile framing with P.V.C corners.
- Hot deep galvanized panels.
- Washable Aluminum filter for winter and summer .
- Single or three phase electro motor 50 Hertz , Ip54 .
- Up or down or front discharge air delivery.
- As your request straw or cellulose pads would be ordered.





**Dimensions**

Type	MODEL	CAPACITY		COOLING	FAN	ELECTRO MOTOR		DIMENSIONS			CONNECTIONS	
		AIR FLOW	HEATING	EVAPORATION RATE	SIZE	POWER	SPEED	LENGTH	WIDTH	HEIGHT	MAKE UP	HEATING COIL
		m <sup>3</sup> /hr	Btu/hr	L/HR	INCHES	HP	RPM	mm	mm	mm	INCHES	INCHES
A	OEC-7000	7000	-	14.5	12-12	1	1400	1000	1000	850	3/8	-
	OEC-10000	10000	-	21.5	15-15	1.5		1150	1000	950	3/8	-
	OEC-15000	15000	-	32.3	18-13	3		1150	1150	1200	1/2	-
	OEC-20000	20000	-	43	18-18	4		1350	1150	1500	1/2	-
B	OECH1-7000	7000	95000	14.5	12-12	1	1400	1000	1000	1100	3/8	1
	OECH1-10000	10000	140000	21.5	15-15	1.5		1150	1000	1200	3/8	1
	OECH1-15000	15000	205000	32.3	18-13	3		1150	1150	1450	1/2	1 1/4
	OECH1-20000	20000	320000	43	18-18	4		1350	1150	1750	1/2	1 1/4
C	OECH2-7000	7000	162000	14.5	12-12	1	1400	1000	1000	1100	3/8	1
	OECH2-10000	10000	240000	21.5	15-15	1.5		1150	1000	1200	3/8	1
	OECH2-15000	15000	350000	32.3	18-13	3		1150	1150	1450	1/2	1 1/4
	OECH2-20000	20000	550000	43	18-18	4		1350	1150	1750	1/2	1 1/4

**NOTICE:**

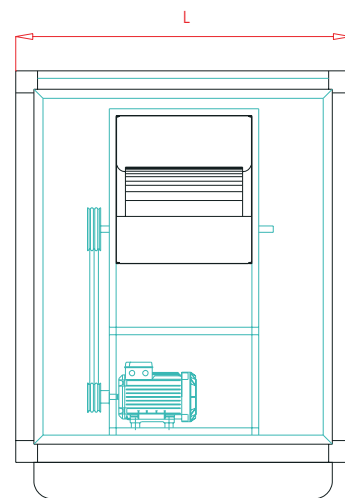
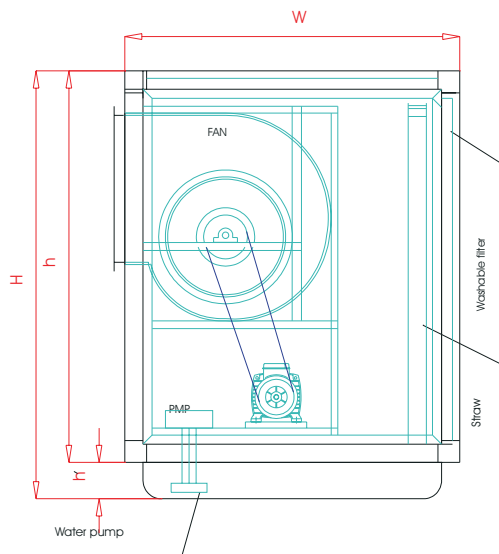
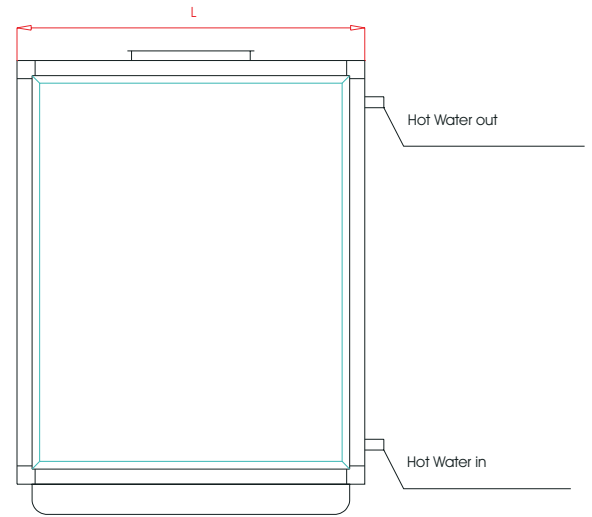
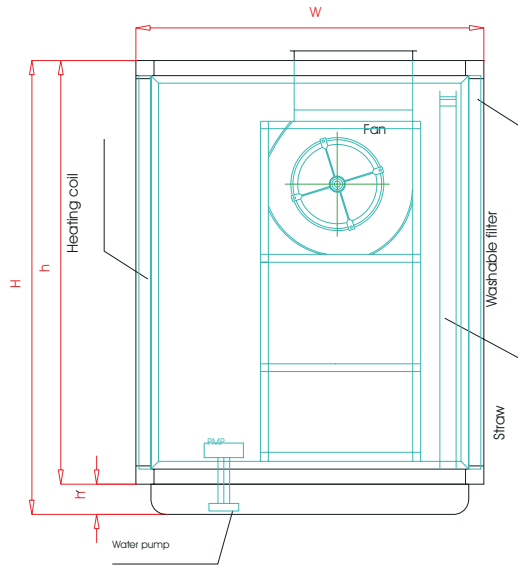
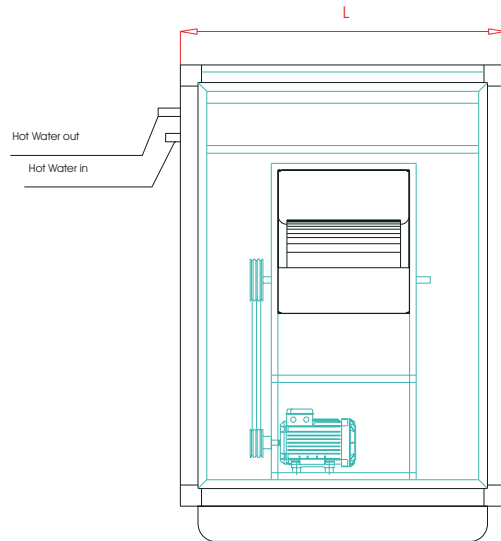
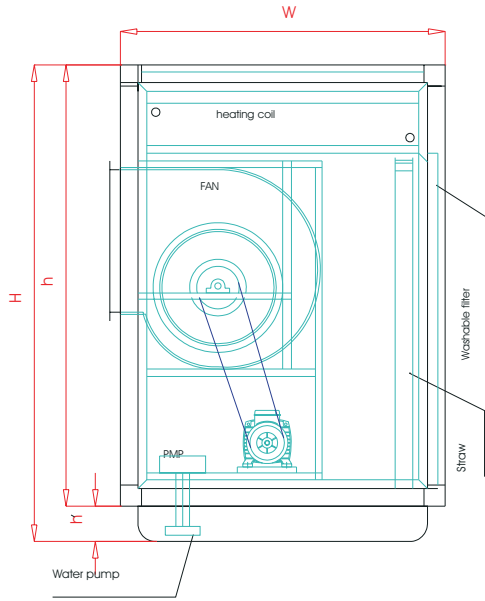
“A” Type is industrial cooler without heating coil and “B” Type industrial cooler with one Row heating coil and “C” Type with Tow Row heating coil.

As your request industrial cooler with other capacities would be singed and ordered.





# INDUSTRIAL COOLERS OMRAN TAHVIEH





*All data and specification subject to change without notice .*

# **OMRAN TAHVIEH**

*Heating , Ventilation And Air Conditioning*

Central Office : # 1.2 , 1st floor , No . 108 , Iranshahr Ave., Tehran - Iran , Tel : ( 98 - 21 ) 8847372 - 3 , 8318850 - 2Tel & Fax : ( 98 - 21 ) 8318852.

